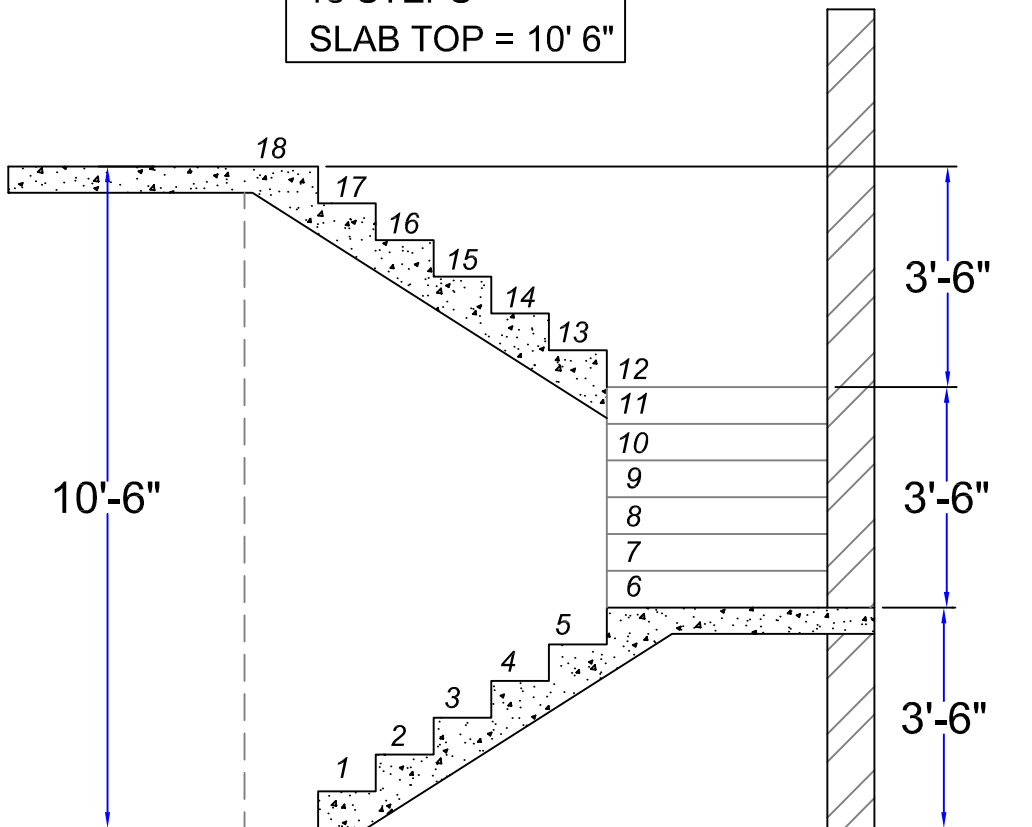


RISER = 7"
 THREAD = 11"
 18 STEPS
 SLAB TOP = 10' 6"



STAIRCASE LAYOUT